



US00D580043S

(12) **United States Design Patent**
Sykes

(10) **Patent No.:** **US D580,043 S**

(45) **Date of Patent:** **** Nov. 4, 2008**

(54) **PORTABLE FAN FRAME**

(57) **CLAIM**

(76) Inventor: **William G. Sykes**, 3669 Seagull Bluff
Dr., Virginia Beach, VA (US) 23455

The ornamental design for a portable fan frame, as shown and described.

(**) Term: **14 Years**

DESCRIPTION

(21) Appl. No.: **29/308,038**

FIG. 1 is a front left isometric view of a portable fan frame base section of my new design shown separately for clarity of illustration;

(22) Filed: **May 27, 2008**

FIG. 2 is an enlarged front view (the back view is the same shape) thereof;

(51) **LOC (8) Cl.** **23-04**

(52) **U.S. Cl.** **D23/411**

(58) **Field of Classification Search** D23/370,
D23/378, 381, 382, 411, 335, 336; 416/247 R,
416/246 R, 208

FIG. 3 is an enlarged right side view (the left side view is the same shape) thereof;

See application file for complete search history.

FIG. 4 is a greatly enlarged top view thereof;

(56) **References Cited**

U.S. PATENT DOCUMENTS

D318,915 S *	8/1991	Chaney	D23/411
D425,193 S *	5/2000	Brewer	D23/411
D435,899 S *	1/2001	Melwani	D23/382
D458,361 S *	6/2002	Melwani	D23/379
D458,674 S *	6/2002	Ropponen	D23/411
D539,414 S *	3/2007	Russak et al.	D23/411

FIG. 5 is an enlarged front left isometric view of a portable fan frame top section of my new design shown separately for clarity of illustration;

FIG. 6 is a front view (the back view is the same shape) thereof;

FIG. 7 is a greatly enlarged right side view (the left side view, top view and bottom view are the same shape) thereof;

FIG. 8 is a front left isometric view of a portable fan frame base and top section connected together of my new design;

FIG. 9 is an enlarged front view (the back view is the same shape) thereof;

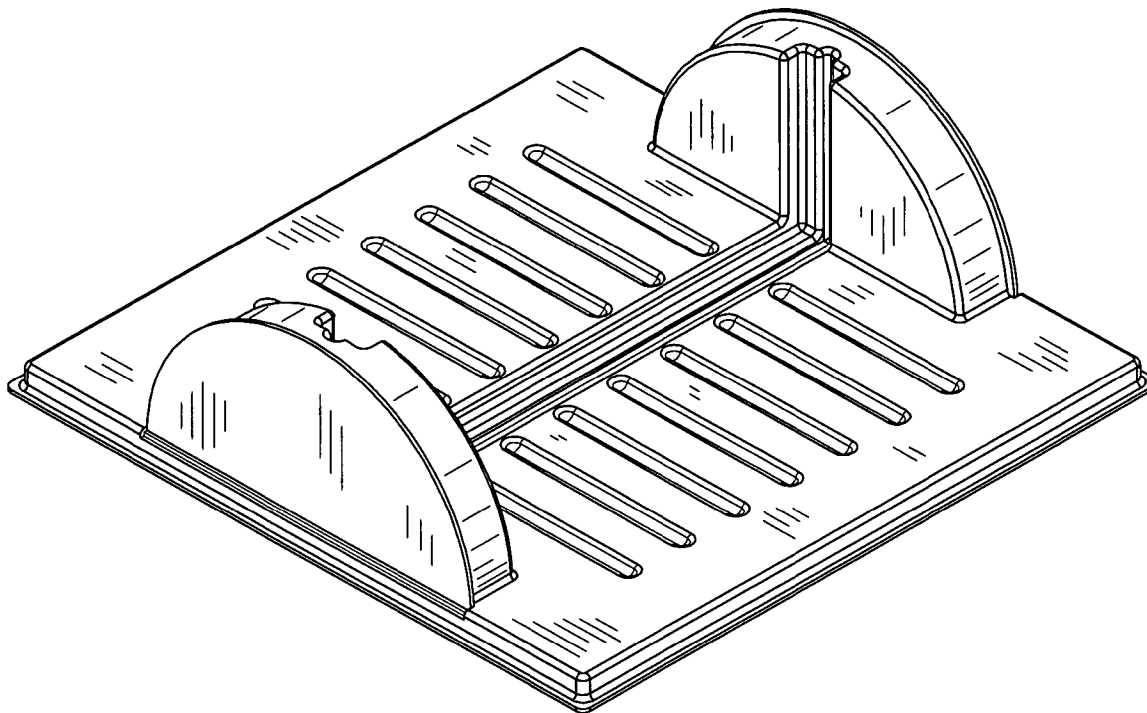
FIG. 10 is a slightly enlarged right side view (the left side view is the same shape) thereof; and,

FIG. 11 is a greatly enlarged top view thereof.

* cited by examiner

Primary Examiner—Lisa P Lichtenstein
(74) *Attorney, Agent, or Firm*—William G. Sykes

1 Claim, 10 Drawing Sheets



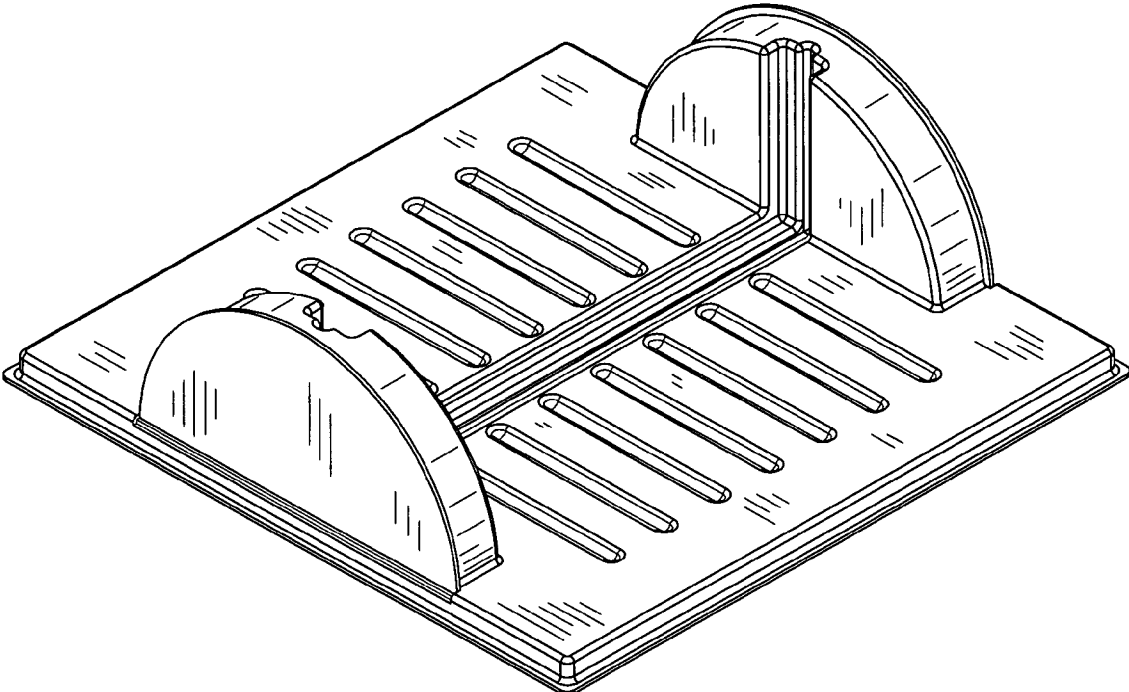


Fig. 1

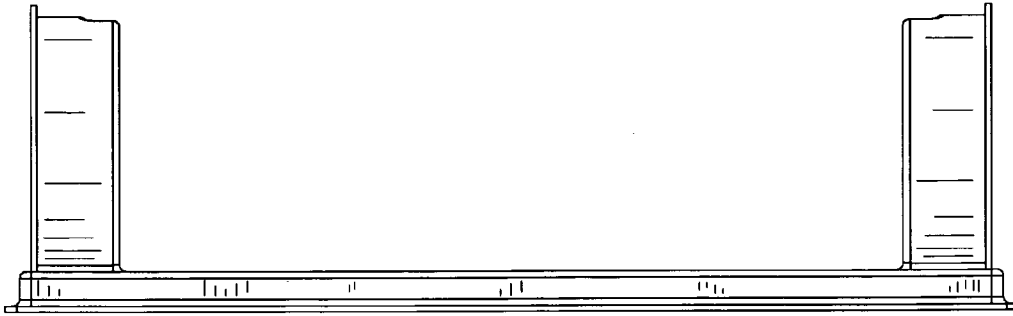


Fig. 2

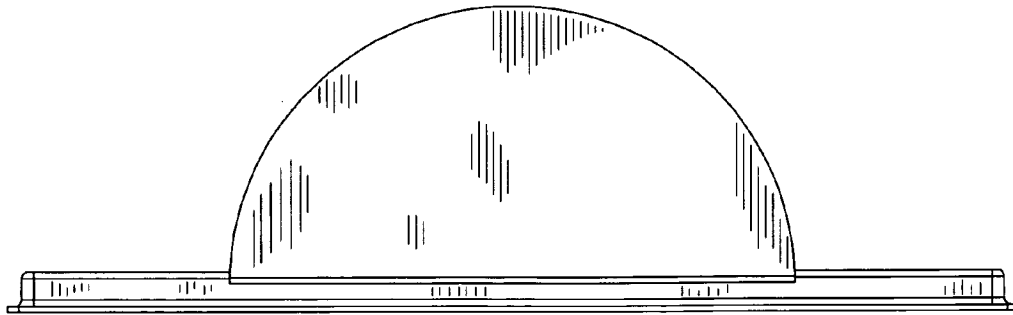


Fig. 3

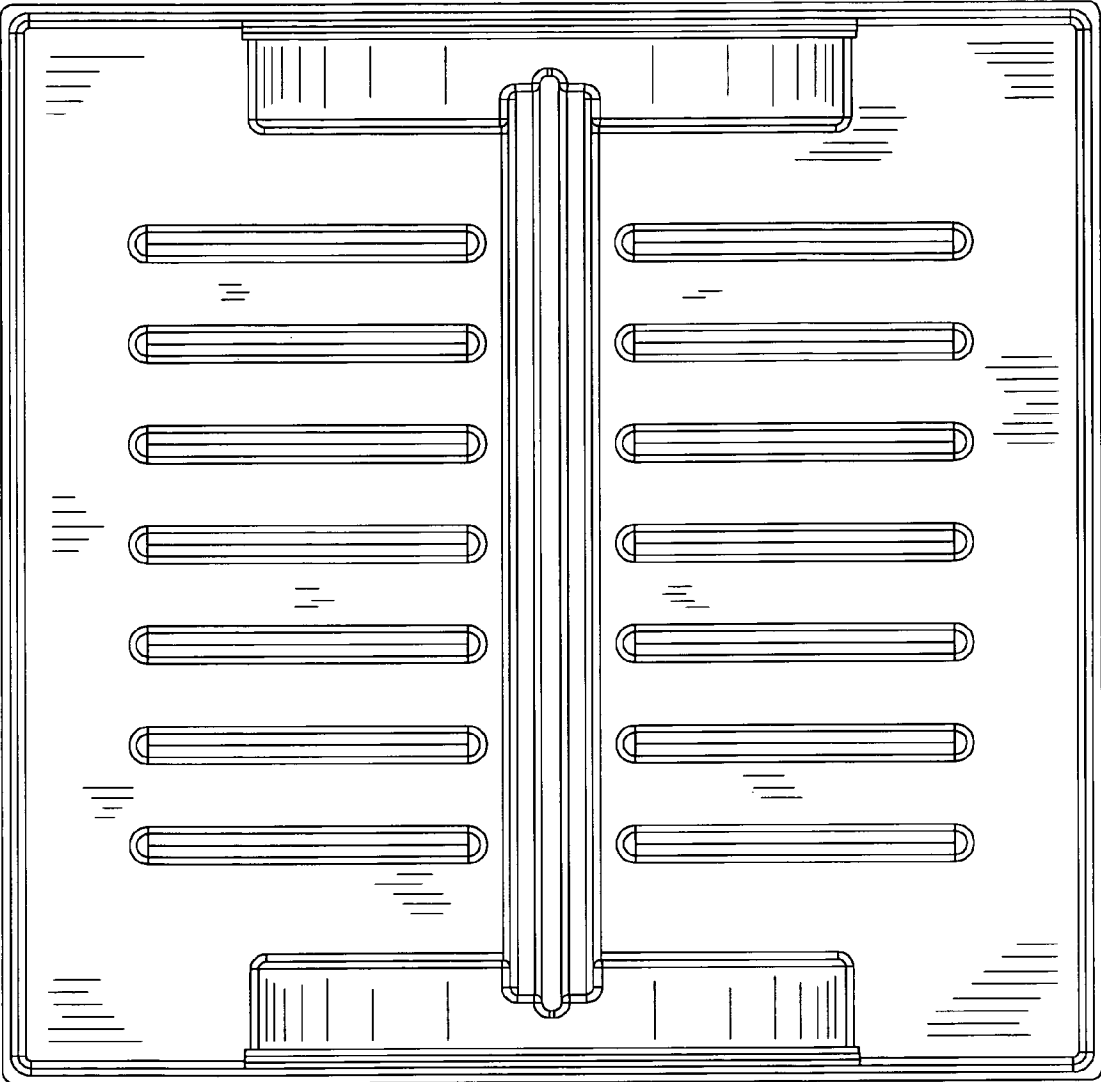


Fig. 4

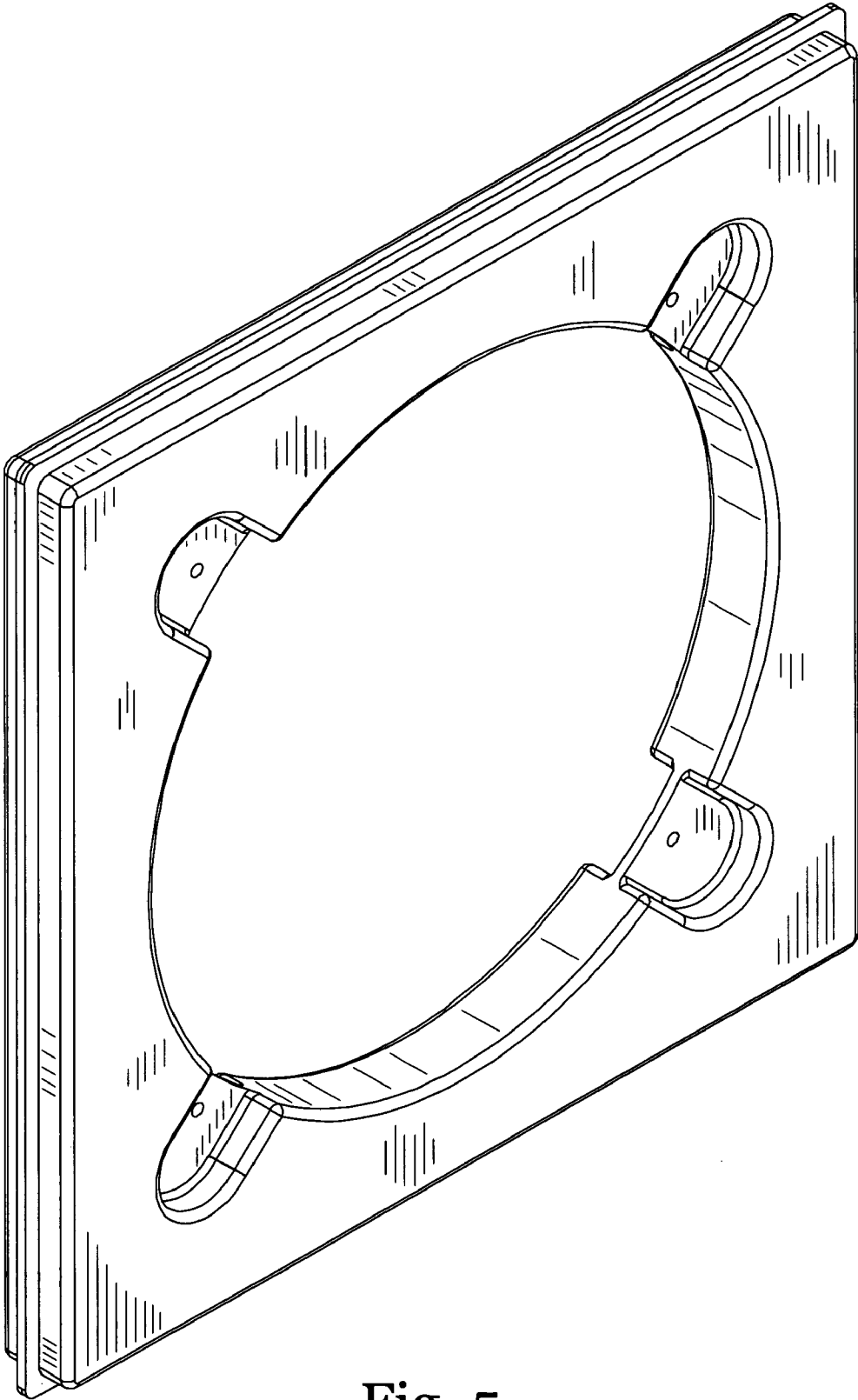


Fig. 5

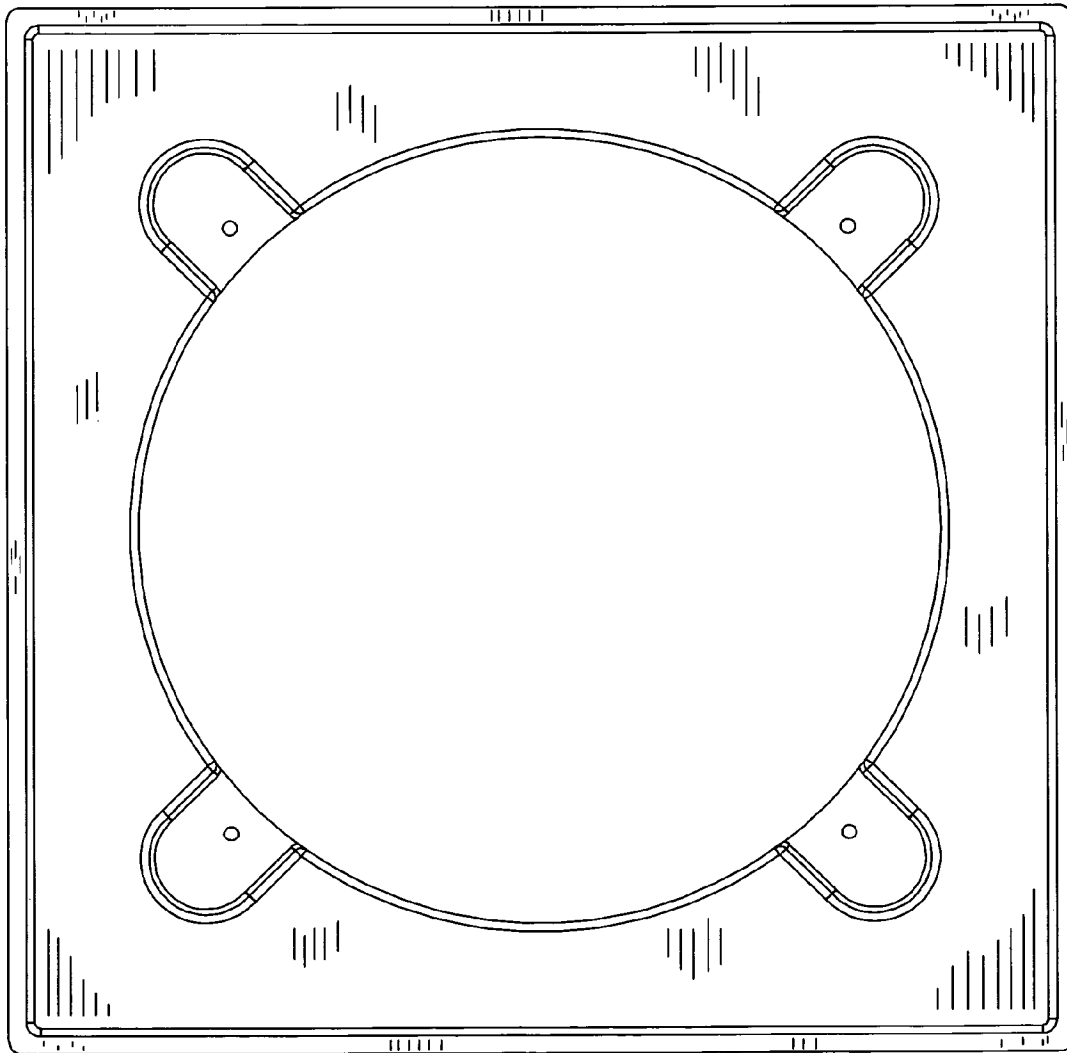


Fig. 6

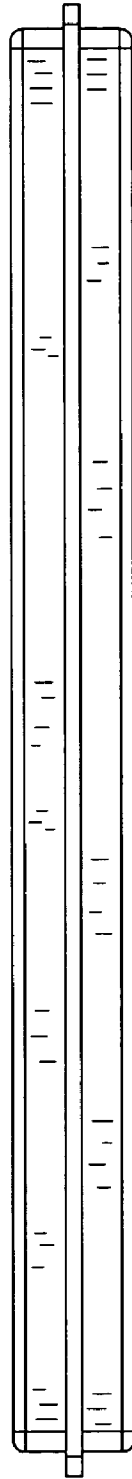


Fig. 7

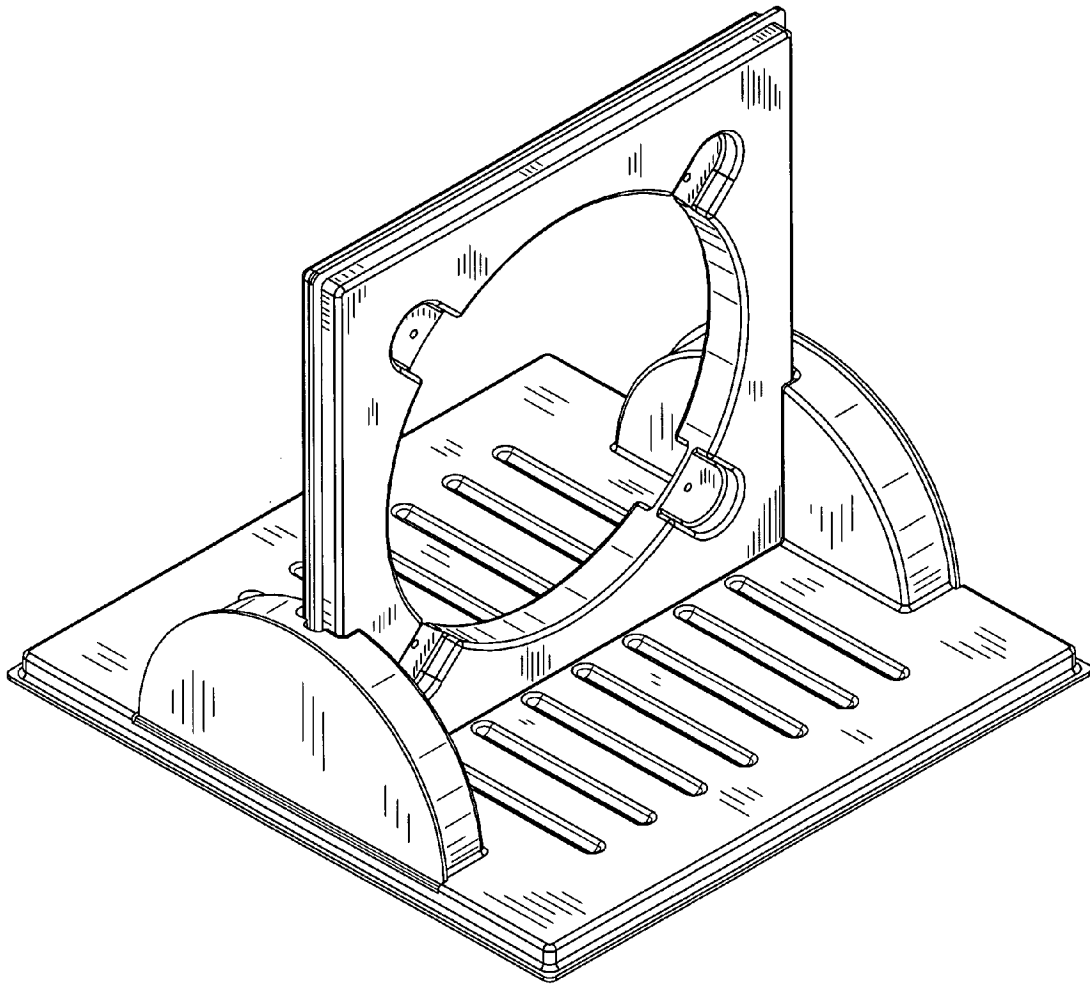


Fig. 8

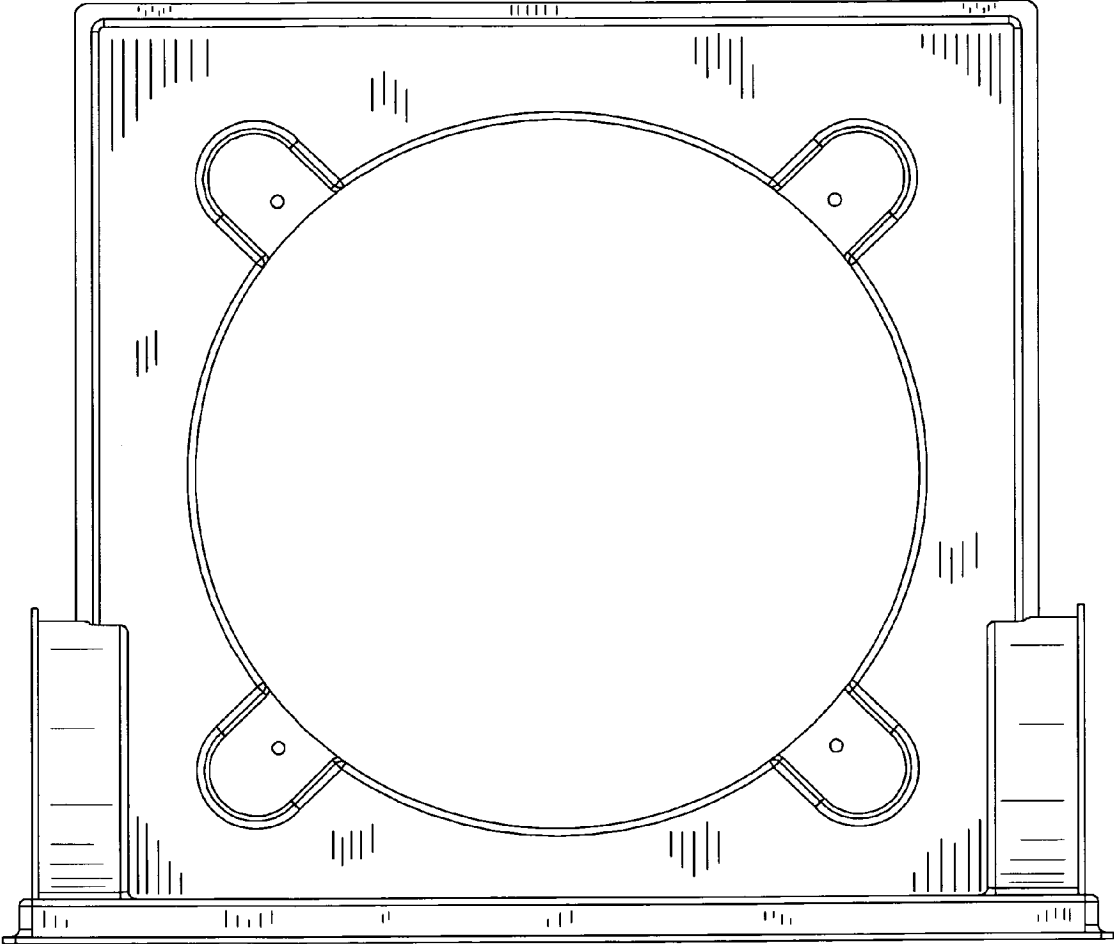


Fig. 9

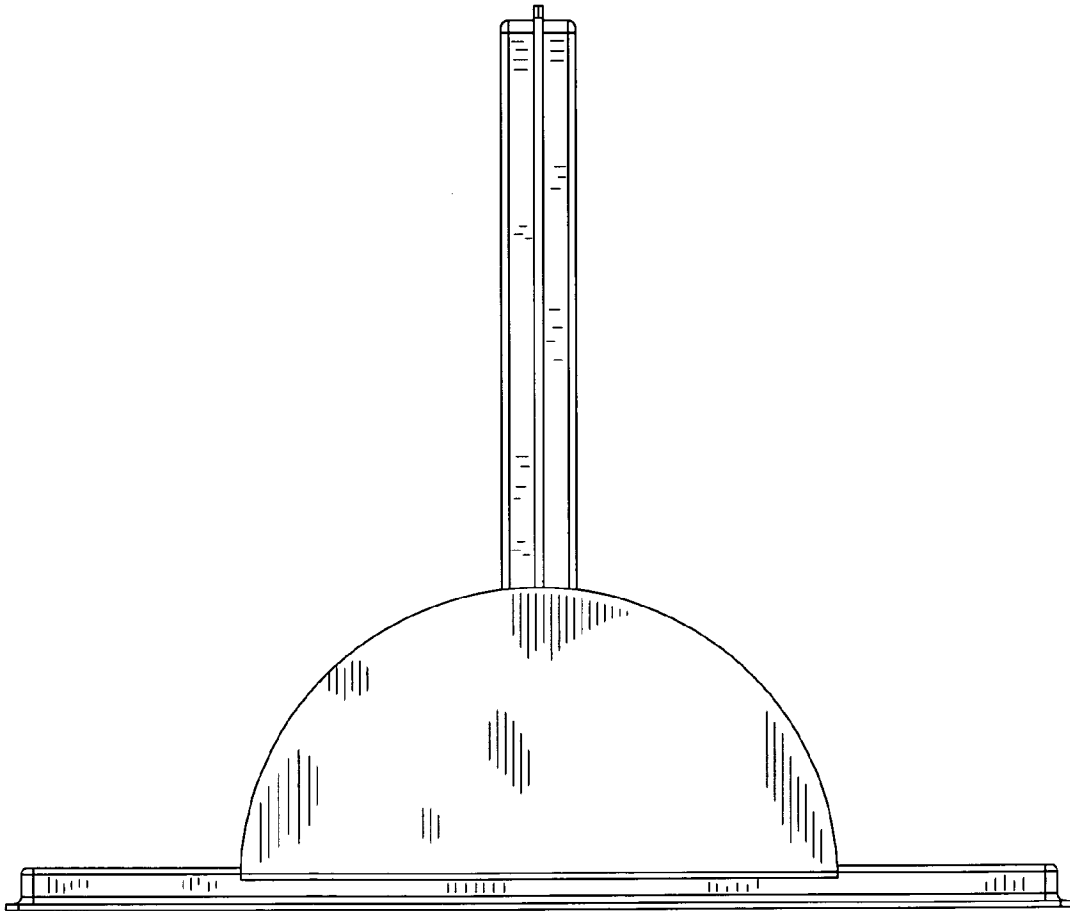


Fig. 10

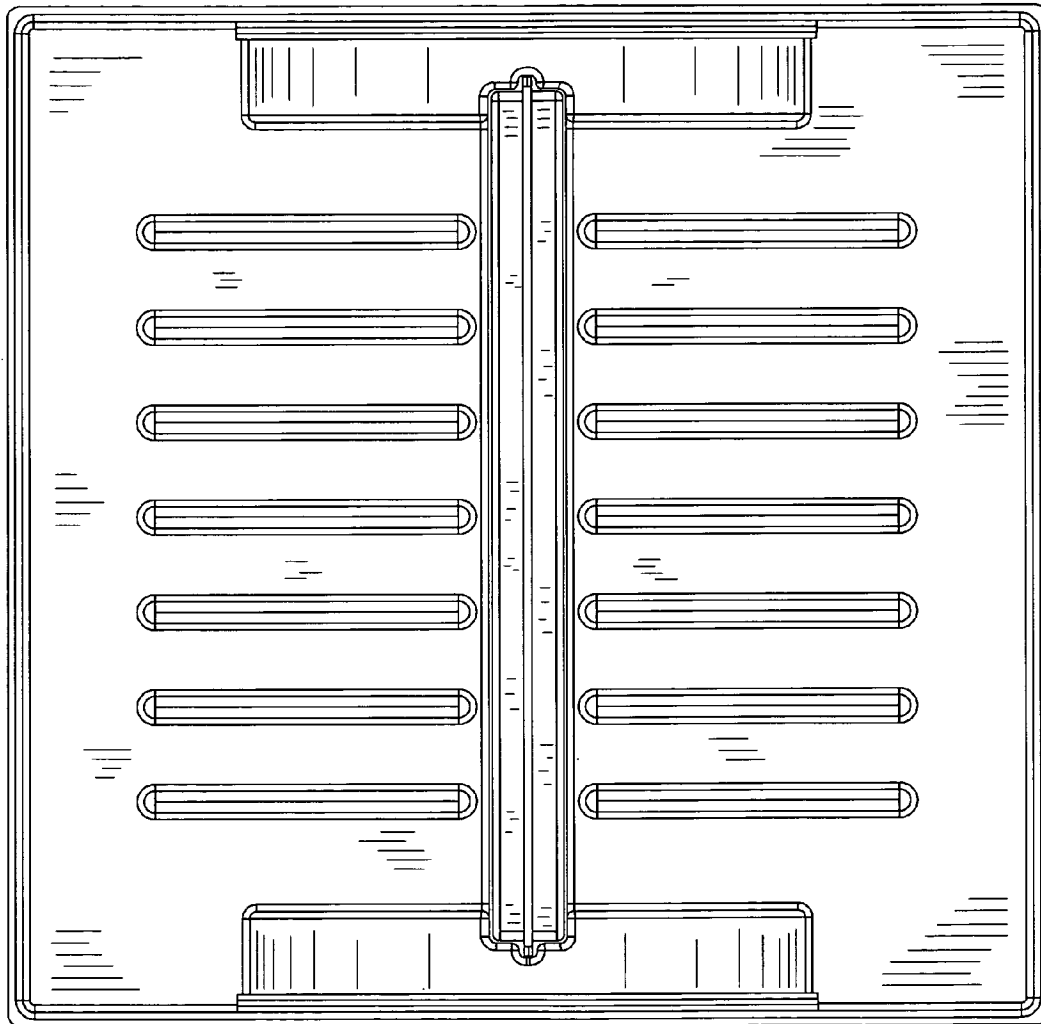


Fig. 11