



US00D448489B1

(12) **United States Design Patent** (10) **Patent No.:** **US D448,489 S**  
**Jackson et al.** (45) **Date of Patent:** **\*\* Sep. 25, 2001**

(54) **CRAWL SPACE DOOR AND FRAME WITH INTERIOR FLANGE**

6,079,475 \* 6/2000 Morgan et al. .... 52/202 X

\* cited by examiner

(76) Inventors: **James S. Jackson**, #4 Oneal Ct.,  
Portsmouth, VA (US) 23701; **William G. Sykes**, 3669 Seagull Bluff Dr.,  
Virginia Beach, VA (US) 23455

*Primary Examiner*—Louis S. Zarfaz  
*Assistant Examiner*—Robert A. Delehanty

(\*\*) Term: **14 Years**

(57) **CLAIM**

The ornamental design for a crawl space door and frame with interior flange, as shown and described.

(21) Appl. No.: **29/111,391**

**DESCRIPTION**

(22) Filed: **Sep. 25, 1999**

(51) **LOC (7) Cl.** ..... **25-02**

(52) **U.S. Cl.** ..... **D25/48**

(58) **Field of Search** ..... D25/47-49, 52,  
D25/60-61, 199; 52/169.1, 169.6, 169.12,  
302.1, 303.3, 302.7, 202, 211; 454/195;  
49/504; 269/905

FIG. 1 is a front plan view of a crawl space door and frame with interior flange showing our new design;

FIG. 2 is a front plan view of a crawl space door and frame with interior flange shown separately for clarity of illustration;

FIG. 3 is a side elevation view of the frame shown in FIG. 2, it being understood the opposite side is a mirror image thereof;

FIG. 4 is a top elevation view of the frame shown in FIG. 2, it being understood the bottom is a mirror image thereof;

FIG. 5 is an enlarged front plan detail view of the frame shown in FIG. 2;

FIG. 6 is a front and top perspective view of the door and flange shown in FIG. 1; and,

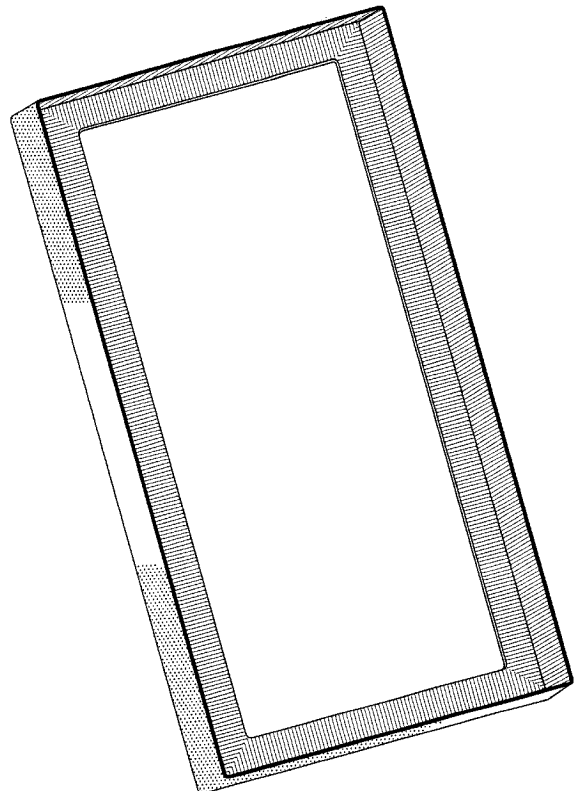
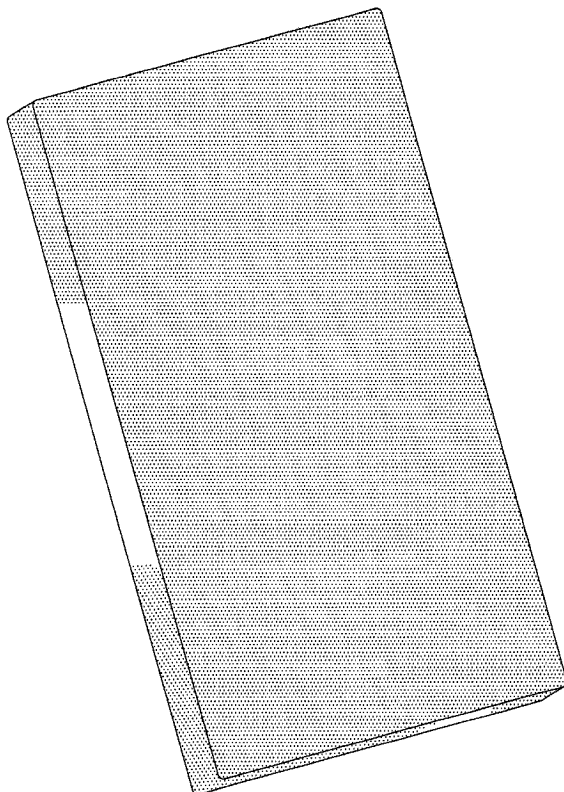
FIG. 7 is a front and top perspective view of the frame shown in FIG. 2.

(56) **References Cited**

**U.S. PATENT DOCUMENTS**

D. 302,311	*	7/1989	Buck	.....	D25/48
D. 372,104	*	7/1996	Scott	.....	D25/48
D. 374,486	*	10/1996	Guin	.....	D25/48
D. 407,500	*	3/1999	Gribble	.....	D25/48
2,752,844	*	7/1956	Simblest	.....	D25/52 X
3,220,079	*	11/1965	Aggson	.....	52/302.3 X
4,656,797	*	4/1987	Marquart	.....	52/169.12
5,062,247	*	11/1991	Dittmer	.....	52/302.1 X

**1 Claim, 7 Drawing Sheets**



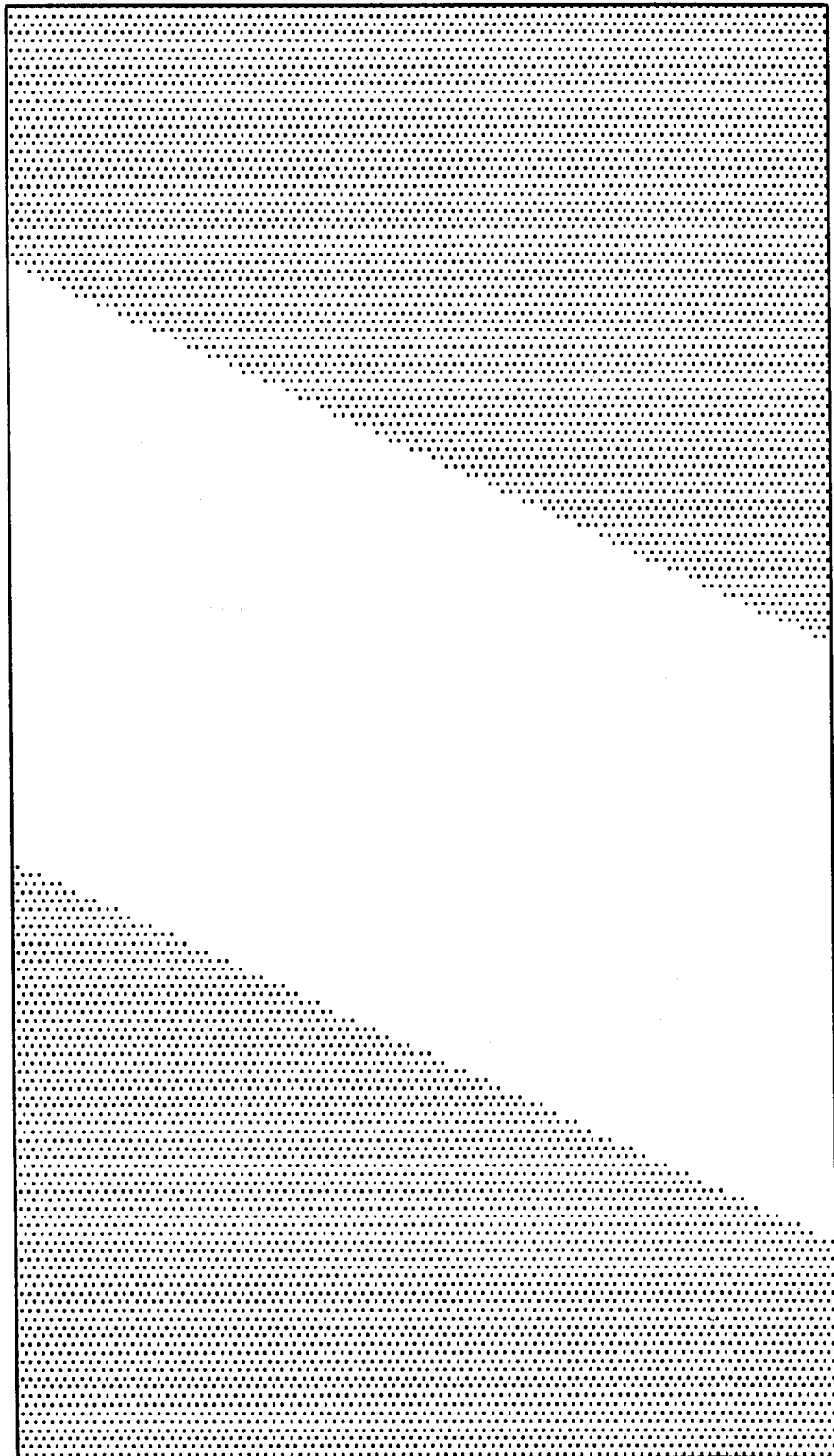


FIGURE 1

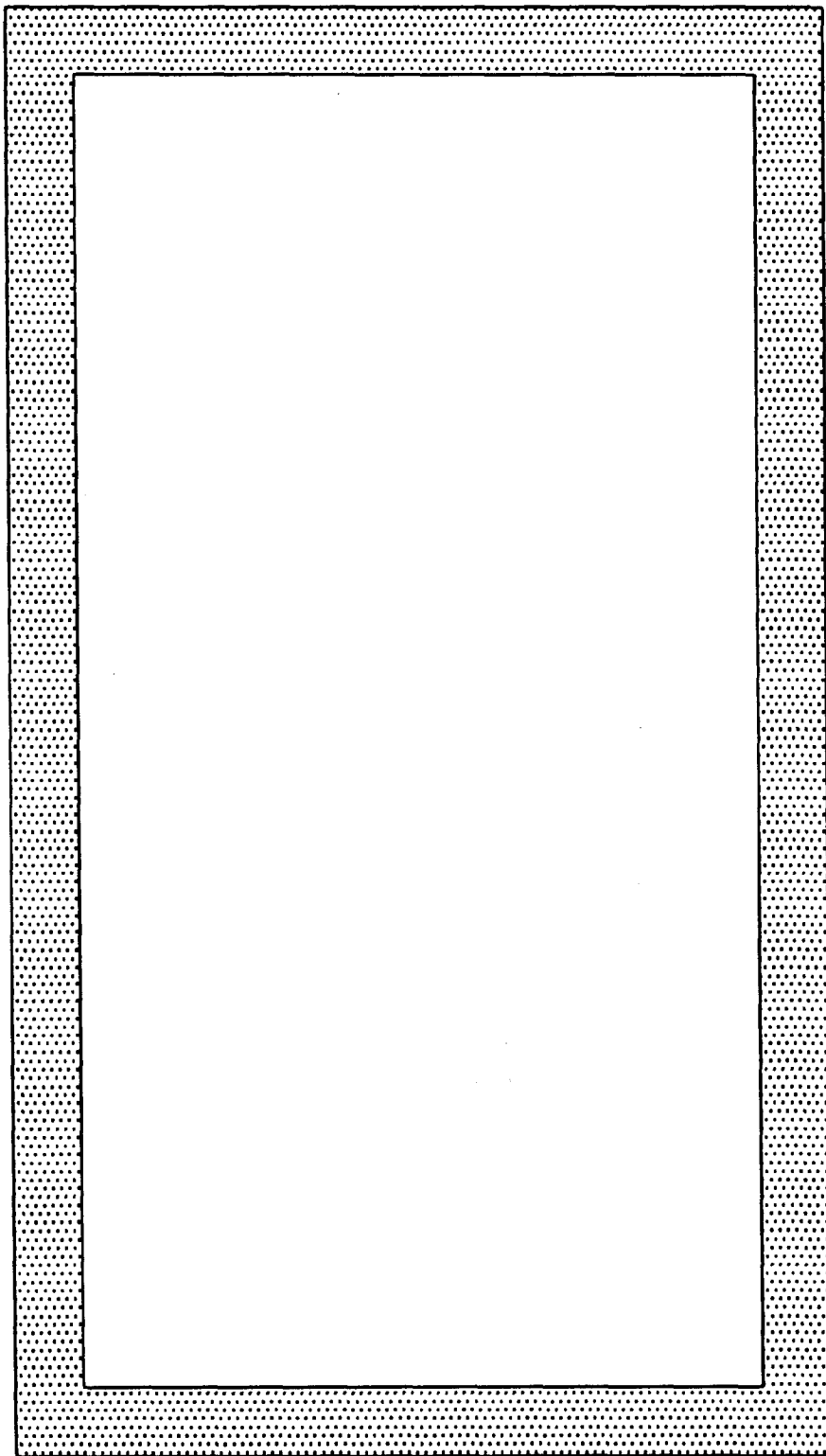


FIGURE 2

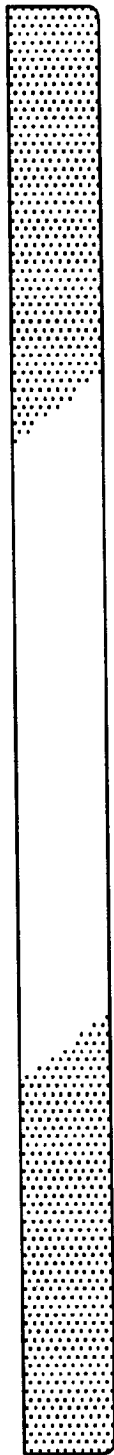


FIGURE 3

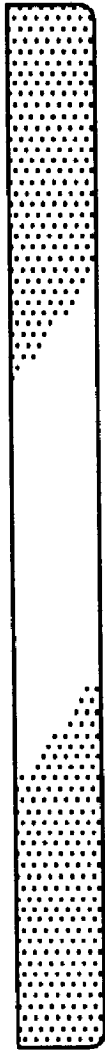


FIGURE 4

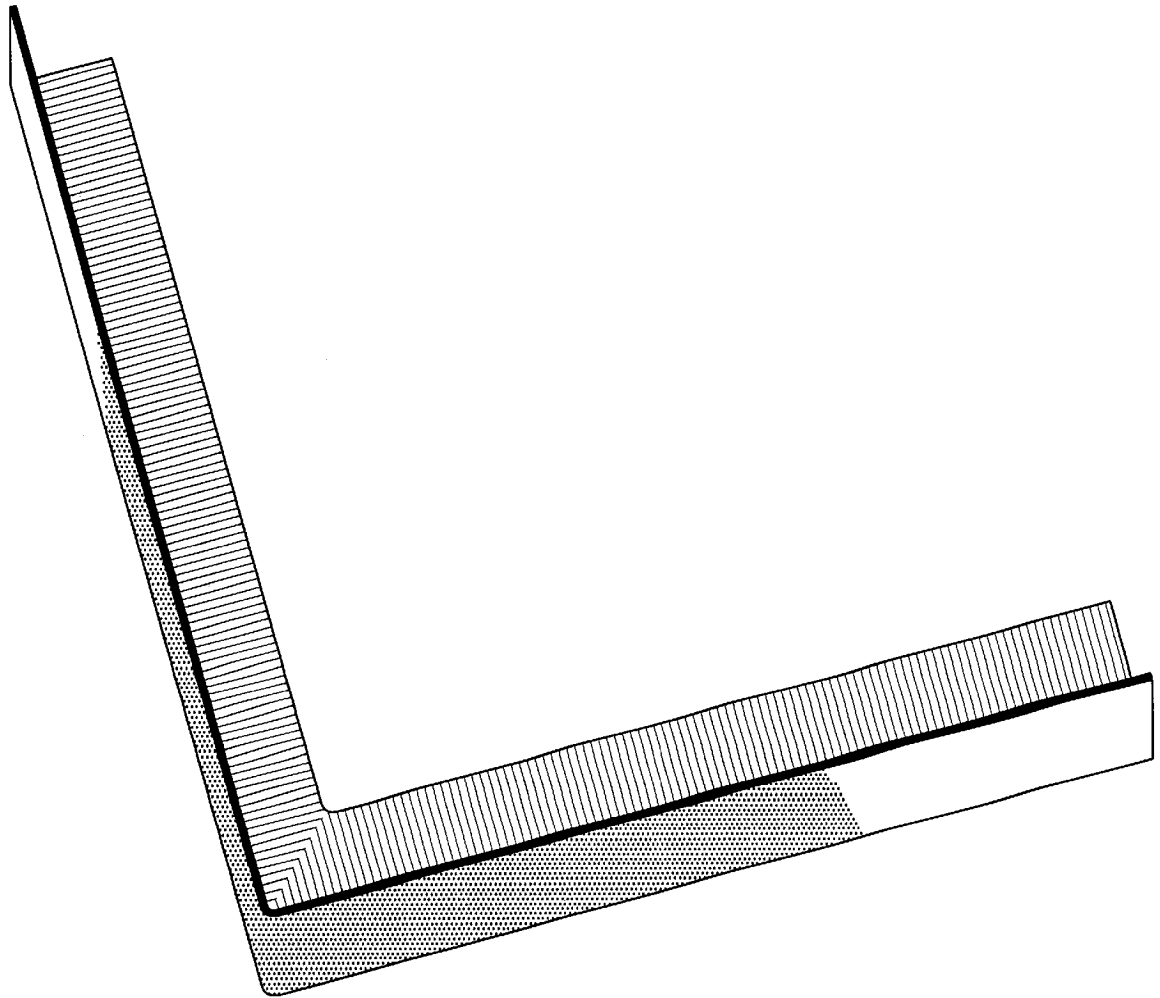


FIGURE 5

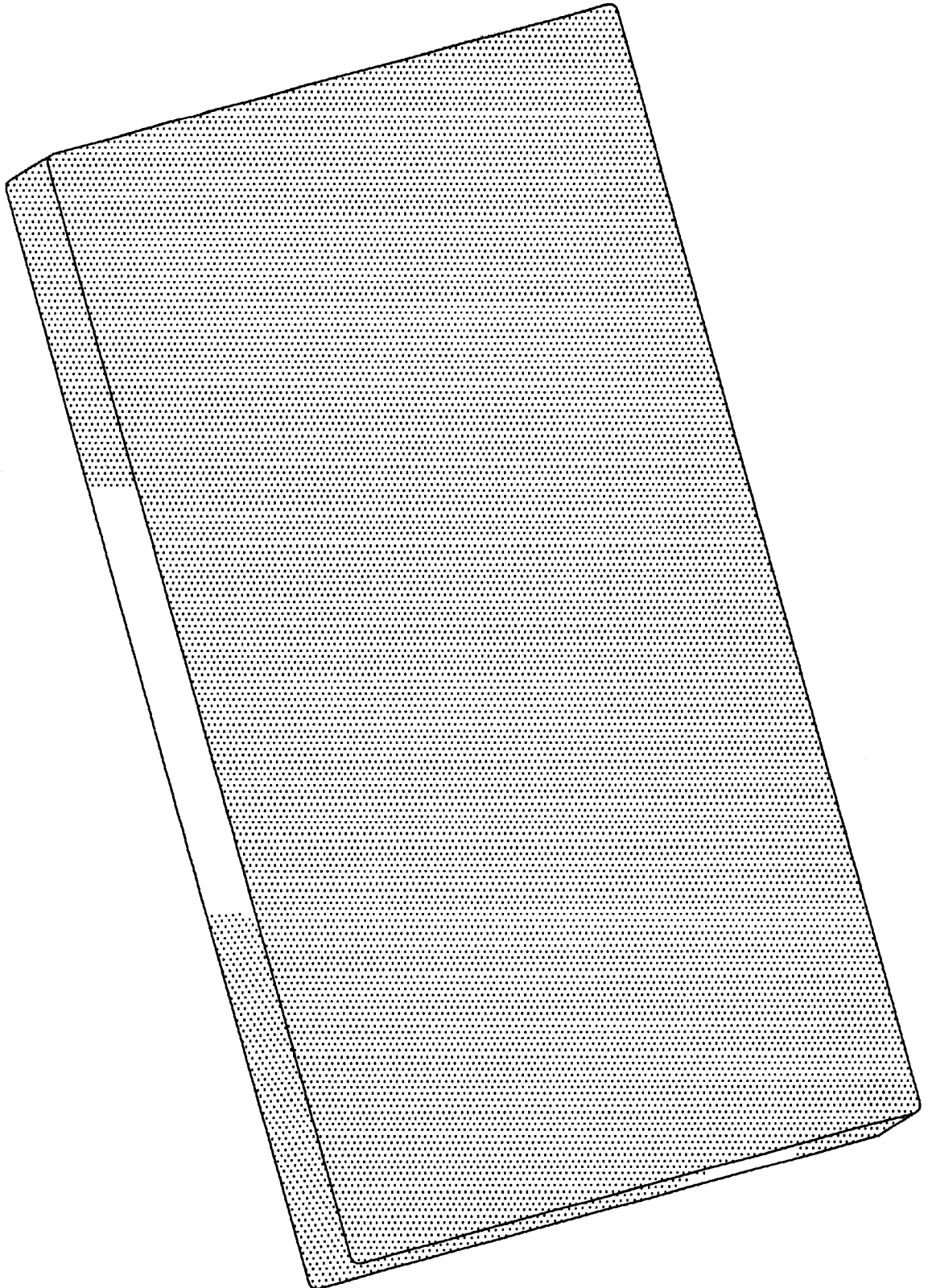


FIGURE 6

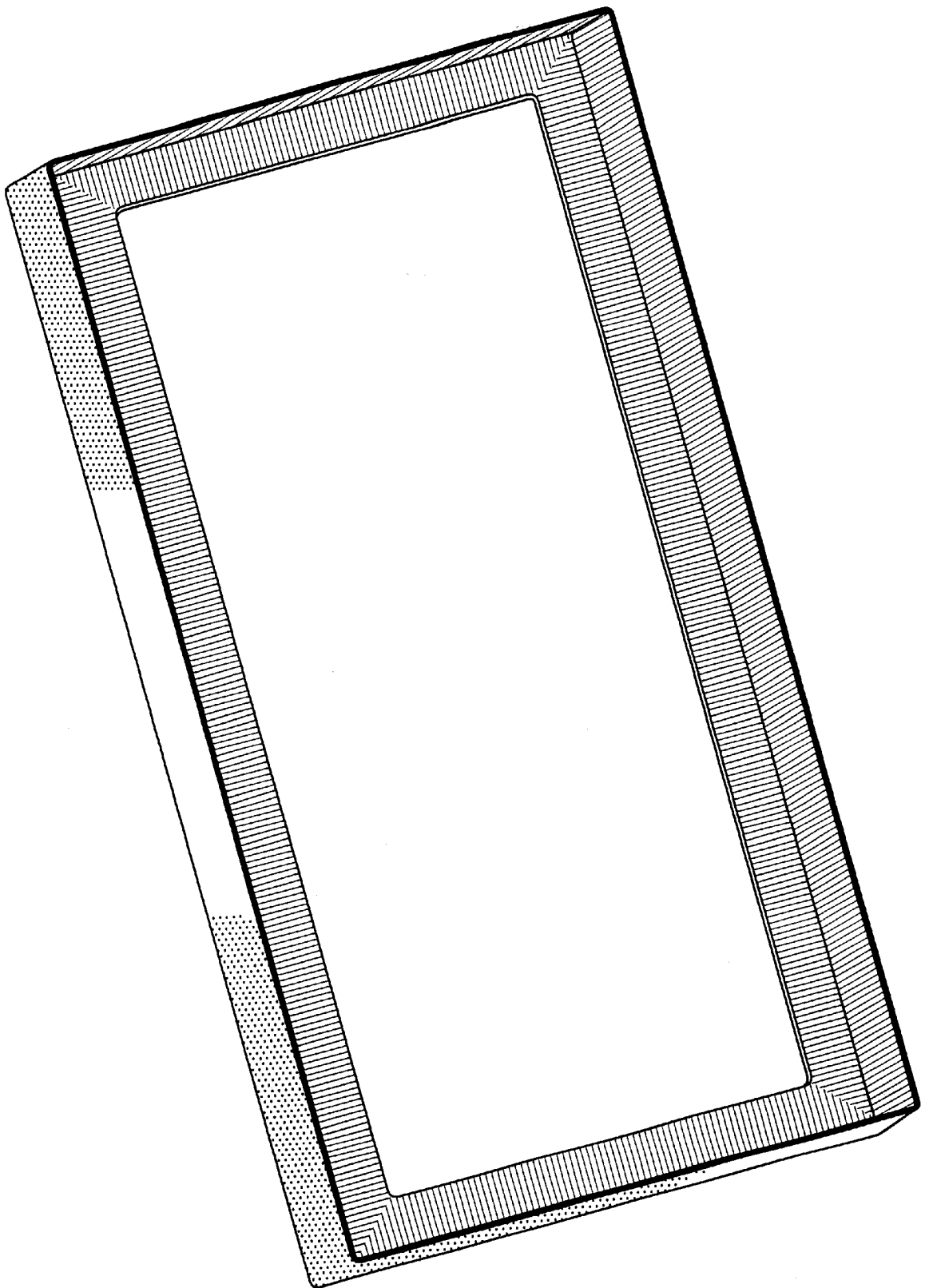


FIGURE 7