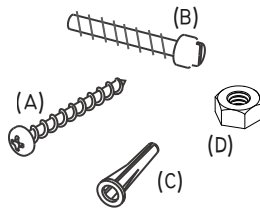


# Crawl Space Door

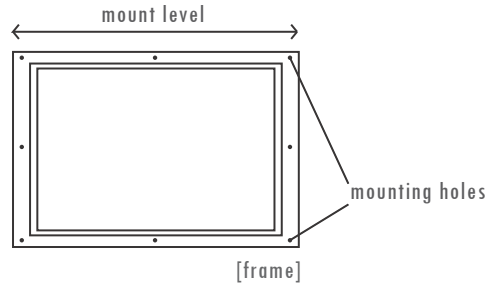
## quick+easy Installation Guide



WHAT YOU'LL NEED:
•POWER DRILL
•1/4" MASONRY BIT
•PHILIPS HEAD SCREWDRIVER
•HAMMER
•LEVEL

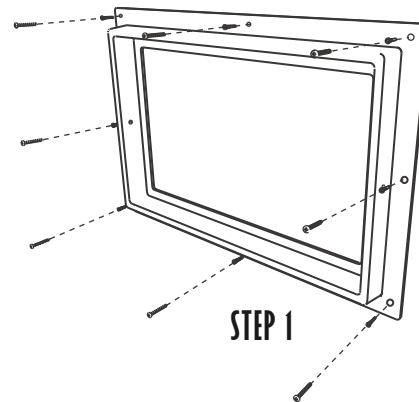


INCLUDED IN THE KIT:		
A	SCREWS	D NUTS
B	THREADED NYLON PINS	E FRAME
C	ANCHORS	F LOUVER
		G COVER



### STEP 1. FRAME INSTALLATION

BALANCE frame (E) centered over crawlspace opening. With frame (E) in place, drill top center hole.  
 INSERT anchor (C) into hole in wall.  
 SECURE top center screw (A).  
 LEVEL frame (E). With frame (E) held in place, drill remaining holes.  
 INSERT remaining anchors (C) into wall.  
 SECURE all screws (A).



### STEP 2. LOUVER INSTALLATION

PLACE louver (F) inside the frame (E).  
 SECURE with threaded nylon pins (B) and nuts (D).

-or-

### COVER INSTALLATION

PLACE cover (G) over frame (E).  
 SECURE on sides with threaded nylon pins (B).

